

SIZE A4

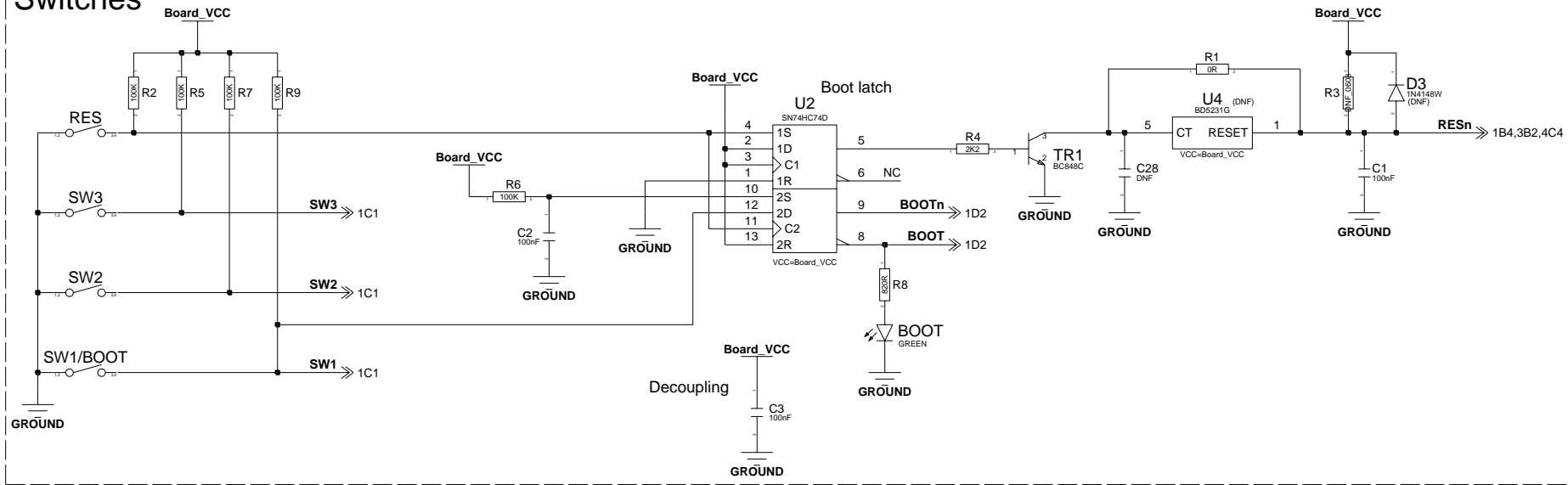
**RENESAS TECHNOLOGY EUROPE LTD**  
 Dukes Meadow, Bourne End, Buckinghamshire  
 UNITED KINGDOM

SCHEMATIC TITLE  
**3DK38086R**

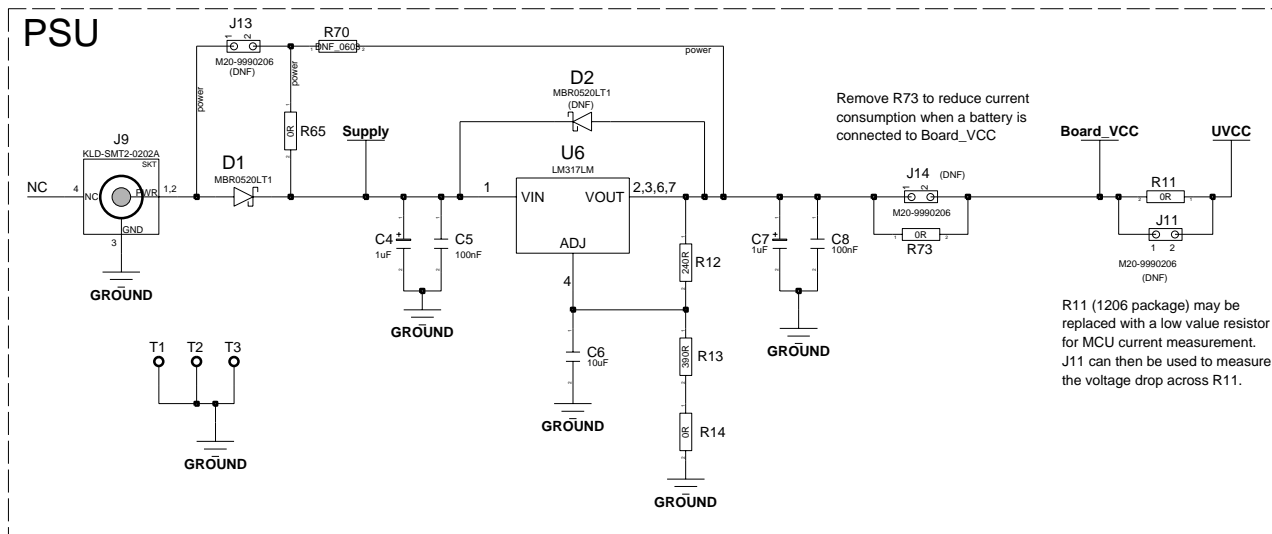
SHEET TITLE  
**Microcontroller**

DRAWN BY DPR	DATE 08-Dec-04	REV 2	DRAWING NUMBER D005662_04	PAGE 1/4
-----------------	-------------------	----------	------------------------------	-------------

# Switches



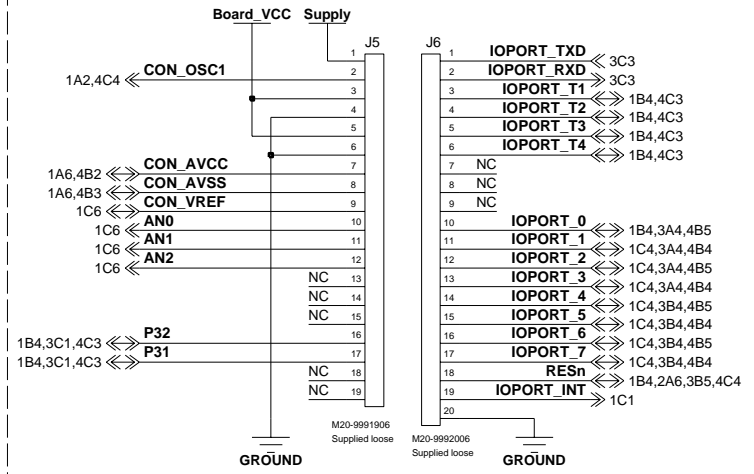
# PSU



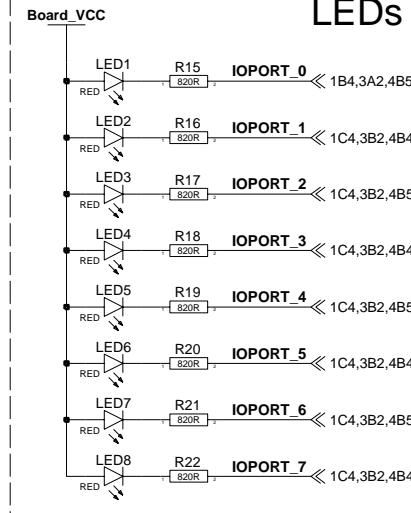
SIZE A4

<b>RENESAS TECHNOLOGY EUROPE LTD</b> Dukes Meadow, Bourne End, Buckinghamshire UNITED KINGDOM				
SCHEMATIC TITLE <b>3DK38086R</b>				
SHEET TITLE <b>Switches and PSU</b>				
DRAWN BY DPR	DATE 08-Dec-04	REV 2	DRAWING NUMBER D005662_04	PAGE 2/4

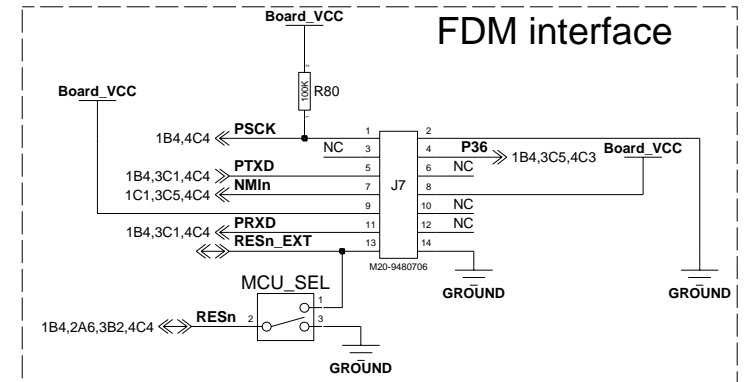
# Generic headers



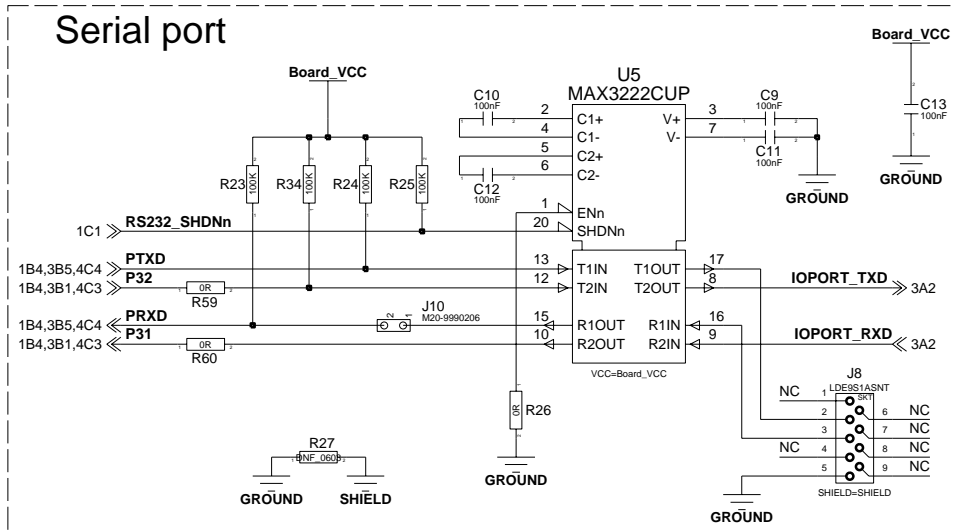
# LEDs



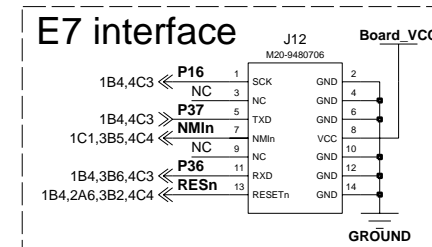
# FDM interface



# Serial port



# E7 interface



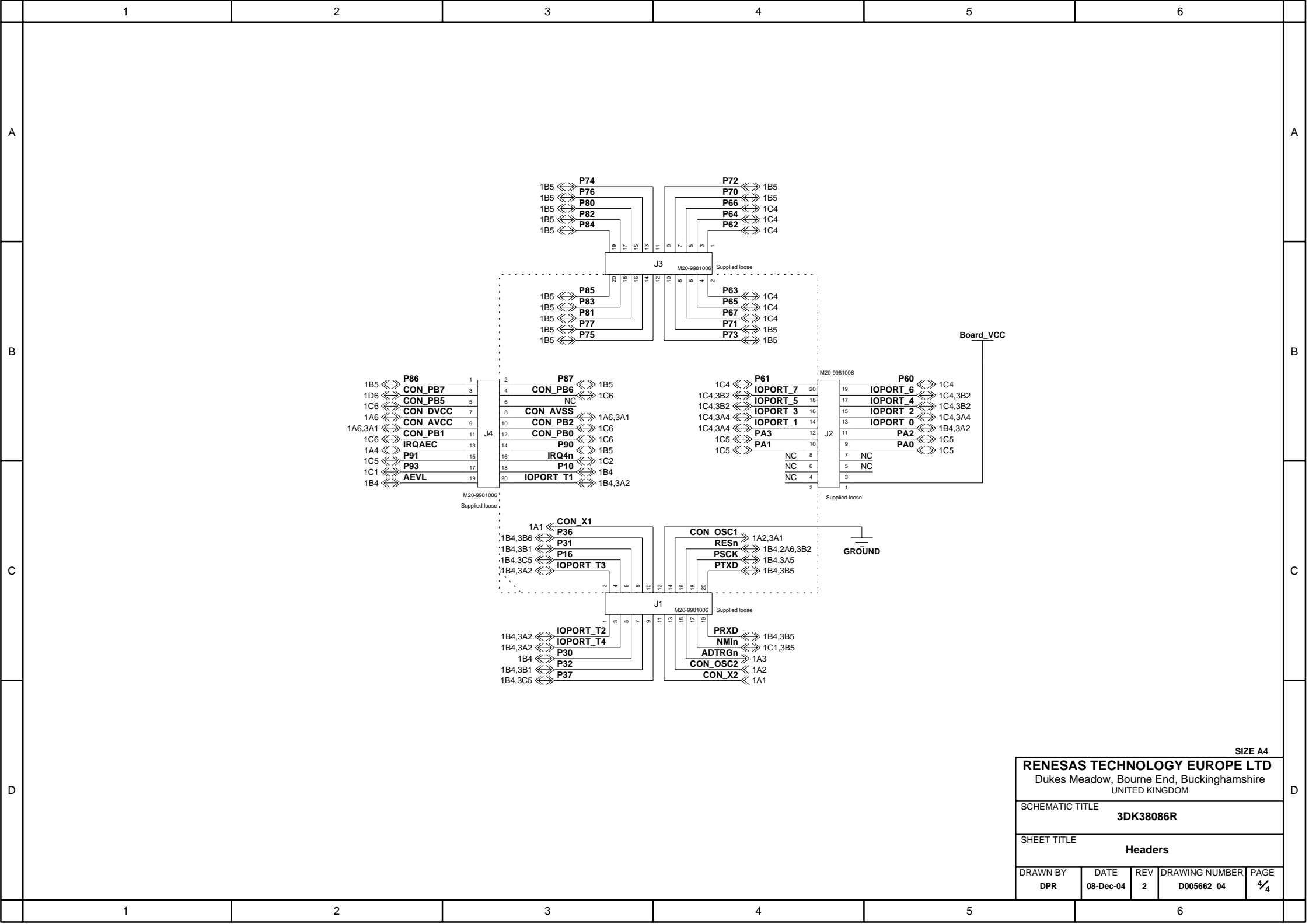
SIZE A4

**RENESAS TECHNOLOGY EUROPE LTD**  
 Dukess Meadow, Bourne End, Buckinghamshire  
 UNITED KINGDOM

SCHEMATIC TITLE  
**3DK38086R**

SHEET TITLE  
**Generic & FLASH connector, LEDs & Serial Port**

DRAWN BY DPR	DATE 08-Dec-04	REV 2	DRAWING NUMBER D005662_04	PAGE 3/4
-----------------	-------------------	----------	------------------------------	-------------



SIZE A4

<b>RENESAS TECHNOLOGY EUROPE LTD</b>				
Dukes Meadow, Bourne End, Buckinghamshire UNITED KINGDOM				
SCHEMATIC TITLE				
<b>3DK38086R</b>				
SHEET TITLE				
<b>Headers</b>				
DRAWN BY	DATE	REV	DRAWING NUMBER	PAGE
DPR	08-Dec-04	2	D005662_04	4/4